



Compressor Selection: Semi-hermetic Reciprocating Compressors

Input Values

Compressor model Mode	(6J-33.2Y) Refrigeration and Air conditioning	Suction gas temperature Operating mode	20,00 °C Auto
Refrigerant Reference temperature Liq. subc. (in condenser)	R507A Dew point temp. 0 K	Power supply Capacity Control Useful superheat	400V-3-50Hz 100% 100%

Result

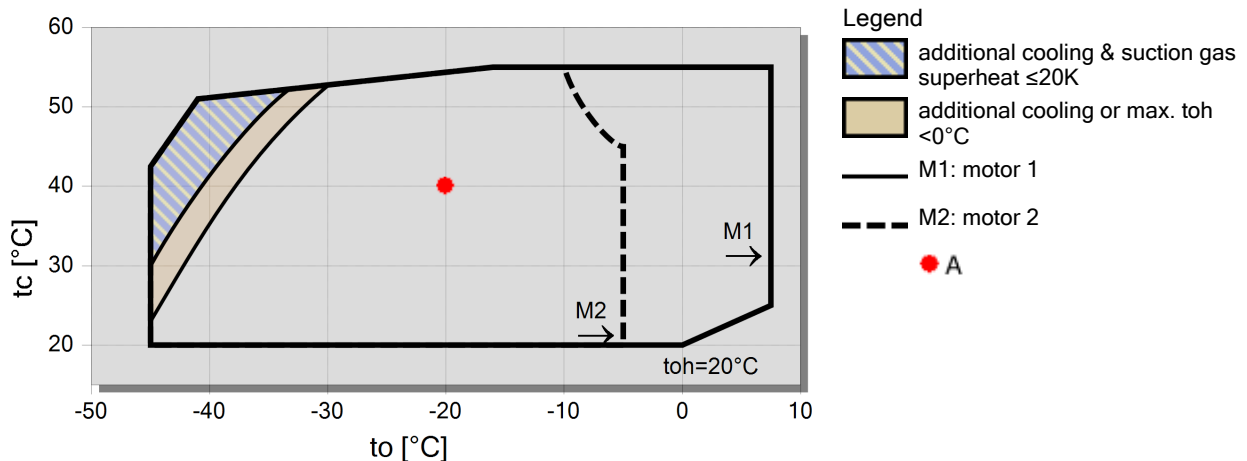
Q [W]	Cooling capacity	COP [-]	COP/EER
Q* [W]	Cooling capacity *	COP* [-]	COP/EER *
P [kW]	Power input	m [kg/h]	Mass flow
I [A]	Current	Op.	Operating mode
Qc [W]	Condenser Capacity	th [°C]	Discharge gas temp. w/o cooling

tc	to	5°C	0°C	-5°C	-10°C	-15°C	-20°C	-25°C	-30°C
30°C	Q [W]	111355	93285	77578	63933	52108	41897	33117	25609
	Q* [W]	111355	93285	77578	63933	52108	41897	33117	25609
	P [kW]	20,9	20,4	19,59	18,58	17,35	15,94	14,36	12,63
	I [A]	37,1	36,4	35,2	33,8	32,1	30,1	28,0	25,9
	Qc [W]	132241	113651	97166	82510	69462	57836	47476	38242
	COP [-]	5,33	4,58	3,96	3,44	3,00	2,63	2,31	2,03
	COP* [-]	5,33	4,58	3,96	3,44	3,00	2,63	2,31	2,03
	m [kg/h]	2966	2448	2011	1640	1325	1058	831	639
	Op.	Standard	Standard	Standard	Standard	Standard	Standard	Standard	Standard
	th [°C]	55,8	61,8	68,0	74,5	81,5	89,0	97,2	106,2
40°C	Q [W]	94909	79403	65879	54102	43882	35048	27455	20966
	Q* [W]	94909	79403	65879	54102	43882	35048	27455	20966
	P [kW]	24,6	23,6	22,3	20,7	19,00	17,09	15,06	12,93
	I [A]	42,7	41,1	39,2	36,9	34,4	31,7	28,9	26,2
	Qc [W]	119508	102981	88158	74844	62882	52142	42512	33895
	COP [-]	3,86	3,37	2,96	2,61	2,31	2,05	1,82	1,62
	COP* [-]	3,86	3,37	2,96	2,61	2,31	2,05	1,82	1,62
	m [kg/h]	2868	2360	1931	1567	1259	997	776	589
	Op.	Standard	Standard	Standard	Standard	Standard	Standard	Standard	Standard
	th [°C]	66,1	72,2	78,4	85,1	92,1	99,6	107,7	116,5
50°C	Q [W]	78603	65734	54454	44598	36024	28606	22228	16784
	Q* [W]	78603	65734	54454	44598	36024	28606	22228	16784
	P [kW]	28,2	26,6	24,8	22,8	20,6	18,24	15,81	13,36
	I [A]	48,1	45,8	43,0	40,0	36,7	33,3	29,9	26,8
	Qc [W]	106779	92376	79287	67394	56606	46844	38042	30141
	COP [-]	2,79	2,47	2,19	1,96	1,75	1,57	1,41	1,26
	COP* [-]	2,79	2,47	2,19	1,96	1,75	1,57	1,41	1,26
	m [kg/h]	2781	2281	1859	1502	1199	943	727	545
	Op.	Standard	Standard	Standard	Standard	Standard	Standard	Standard	Standard
	th [°C]	76,8	82,9	89,2	95,9	103,0	110,6	118,9	128,1

-- No calculation possible (see message in single point selection)

*According to EN12900 (20°C suction gas temp., 0K liquid subcooling)

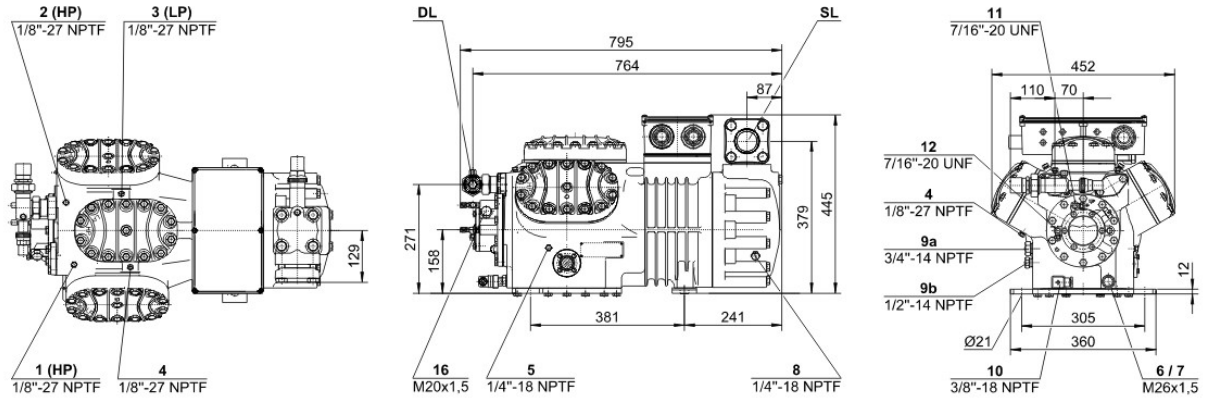
Application Limits 100%





Technical Data: (6J-33.2Y)

Dimensions and Connections



Technical Data

Technical Data

Displacement (1450 RPM 50Hz)	95,3 m ³ /h
Displacement (1750 RPM 60Hz)	115,02 m ³ /h
No. of cylinder x bore x stroke	6 x 65 mm x 55 mm
Weight	231 kg
Max. pressure (LP/HP)	19 / 28 bar
Connection suction line	54 mm - 2 1/8"
Connection discharge line	35 mm - 1 3/8"
Connection cooling water	R 3/4"
Oil type R134a/R407C/R404A/R507A/R407A/R407F	tc<55°C: BSE32 / tc>55°C: BSE55 (Option)
Oil type R22 (R12/R502)	B5.2 (Standard)
Oil type R290/R1270	SHC226E (Standard)

Motor data

Motor voltage (more on request)	380-420V PW-3-50Hz
Max operating current	60.0 A
Winding ratio	50/50
Starting current (Rotor locked)	147.0 A Y / 262.0 A YY
Max. Power input	32,2 kW

Extent of delivery (Standard)

Motor protection	SE-B2
Enclosure class	IP54 (Standard), IP66 (Option)
Vibration dampers	Standard
Oil charge	4,75 dm ³

Available Options

Discharge gas temperature sensor	Option
Start unloading	Option
Capacity control	100-66-33% (Option)
Additional fan	Option
Water-cooled cylinder heads	Option
Oil service valve	Option
Crankcase heater	140 W (Option)
Oil pressure monitoring	MP54 (Option), Delta-PII (Option, not for R290/R1270)

Sound measurement

Sound power level (+5°C / 50°C)	81,0 dB(A) @ 50Hz
Sound power level (-10°C / 45°C)	79,5 dB(A) @ 50Hz
Sound power level (-35°C / 40°C)	(86,0) dB(A) @ 50Hz
Sound pressure level @ 1m (+5°C / 50°C)	73,0 dB(A) @ 50Hz
Sound pressure level @ 1m (-10°C / 45°C)	71,5 dB(A) @ 50Hz
Sound pressure level @ 1m (-35°C / 40°C)	(78,0) dB(A) @ 50Hz